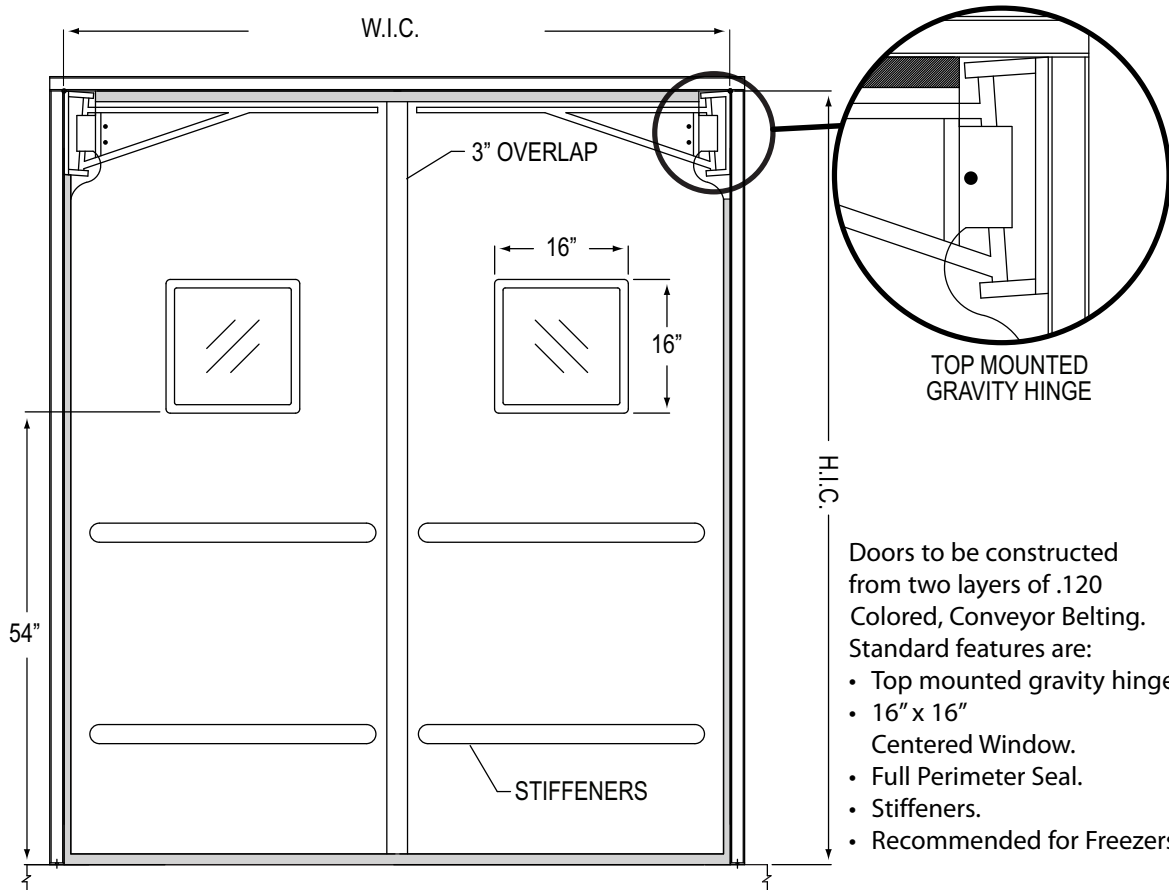


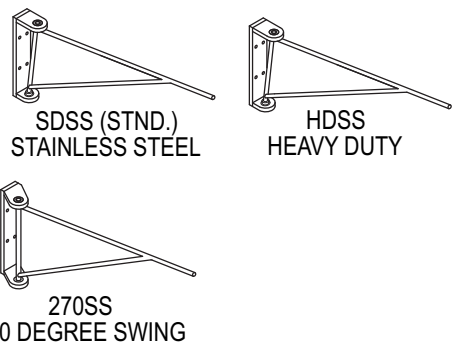
# DOUBLE ACTING "FLEXIBLE BELTING" TRAFFIC DOORS

**CUSTOM QUALITY PRODUCTS, INC.**  
  
 1645 Blue Rock Street  
 Cincinnati, Ohio 45223  
 800-635-1086  
 513-541-1191  
 fax: 513-541-1192  
 www.cqpinc.com



Doors to be constructed from two layers of .120 Colored, Conveyor Belting. Standard features are:

- Top mounted gravity hinges.
- 16" x 16" Centered Window.
- Full Perimeter Seal.
- Stiffeners.
- Recommended for Freezers.



Updated: 10/22/08

Charges will be assumed by buyer for changes or cancellations to work in process. Buyer hereby accepts responsibility for all sizes and dimensions. This order will not be processed until all acknowledgement forms are signed and returned.

Specification accepted by: \_\_\_\_\_

Date: \_\_\_\_\_

**DOOR SPECIFICATION**  
 Opening Width \_\_\_\_\_ x Height \_\_\_\_\_

Qty. \_\_\_\_\_

BI-PARTING       SINGLE PANEL  
 L       R

**COLOR OPTIONS**  
 BLACK       GREEN

**OPTIONS FOR AIR PRESSURE**  
 SPRING LOADED HINGES  
 CLOSING MAGNETS

**WINDOW SIZES**  
 16"x16" (STANDARD)       22" x 22"  
 OTHER

**WINDOW LOCATION**  
 CENTERED (STANDARD)  
 OFFSET

**CQP-120 FLEX DOOR**

\_\_\_\_\_

JOB NAME/LOCATION

\_\_\_\_\_

CUSTOMER/LOCATION

\_\_\_\_\_

CUST. ORDER NO.

\_\_\_\_\_

CUST. PO ORDER NO.